



# Life Safety Code Top 10 K-tags

## Long-Term Care Facilities

David Soens PE RA

FORUM 2025

1



# Overview

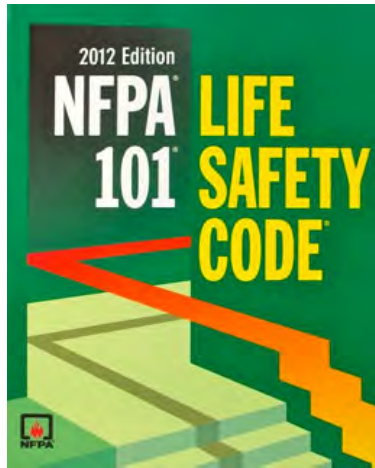
- Introduction
- Resources
- Examples

FORUM 2025

2



# Resource



Life Safety Code  
**(LSC)**

**2012** Edition

National Fire Protection  
Association **(NFPA)**

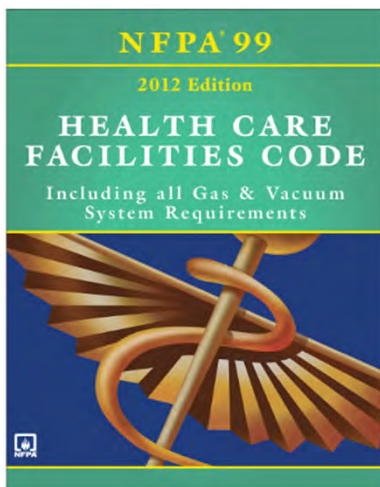
**NFPA 101**

FORUM 2025

3



# Resource



Health Care Facilities  
Code **(HCFC)**

**2012** Edition

National Fire Protection  
Association **(NFPA)**

**NFPA 99**

FORUM 2025

4



# Resource

DEPARTMENT OF HEALTH AND HUMAN SERVICES  
CENTERS FOR MEDICARE & MEDICAID SERVICES

2012 LIFE SAFETY CODE  
Form Approved OMB Control

**FIRE SAFETY SURVEY REPORT - 2012 LIFE SAFETY CODE HEALTHCARE**

PART I — LIC. SURVEY CODE: New and Existing  
PART II — Health Care Facilities Code: New and Existing  
PART III — Recommendation for Waiver  
PART IV — Change Data Extract

OPTIONAL — Chapter 4 — NFPA 101A - Fire Safety Evaluation System for Health Care Occupancies — CMS-2786T

Identifying information as shown in applicable records. Enter changes, if any, alongside each item, giving date of change.

2. NAME OF FACILITY \_\_\_\_\_

3. SURVEY FOR  
 MEDICARE  MEDICAID

4. DATE OF SURVEY \_\_\_\_\_

5. DATE OF PLAN APPROVAL \_\_\_\_\_

6. SURVEY UNDER  
 2012 EXISTING  2012 NEW

7. SURVEY FOR CERTIFICATION/TYPE  
1.  HOSPITAL 2.  SKILLED NURSING FACILITY 3.  CFAD UNDER HEALTH CARE 4.  HOSPICE

8. BED COMPOSITION  
a. TOTAL NO. OF BEDS IN THE FACILITY \_\_\_\_\_  
b. NUMBER OF HOSPITAL BEDS CERTIFIED FOR MEDICARE \_\_\_\_\_  
c. NUMBER OF SKILLED BEDS CERTIFIED FOR MEDICARE \_\_\_\_\_  
d. NUMBER OF 101 OR CFAD BEDS CERTIFIED FOR MEDICARE \_\_\_\_\_

9. COMPLIANCE WITH ALL PROVISIONS 2. ACCEPTANCE OF A PLAN OF CORRECTION 3. RECOMMENDED WAIVERS 4. FBBS 5. PERFORMANCE BASED DESIGN

6. THE FACILITY DOES NOT MEET THE STANDARD

SURVEYOR (Signature) \_\_\_\_\_ TITLE \_\_\_\_\_ OFFICE \_\_\_\_\_ DATE \_\_\_\_\_

SURVEYOR ID \_\_\_\_\_

FIRE AUTHORITY OFFICIAL (Signature) \_\_\_\_\_ TITLE \_\_\_\_\_ OFFICE \_\_\_\_\_ DATE \_\_\_\_\_

OMB FORMS SHALL BE COMPLETED AND RETAINED AS PART OF THE SURVEY RECORD.

Form CMS-2786R-02(0116) Page 1

Form

**CMS-2786R**

2018 version

<https://www.cms.gov/Medicare/CMS-Forms/CMS-Forms/Downloads/CMS2786R.pdf>

FORUM 2025

5



# WI LTC Top 10

- |                          |       |
|--------------------------|-------|
| 1. Sprinkler testing     | K-353 |
| 2. Fire drills           | K-712 |
| 3. Fire alarm testing    | K-345 |
| 4. Hazardous areas       | K-321 |
| 5. Means of egress       | K-211 |
| 6. Receptacle testing    | K-914 |
| 7. Corridor doors        | K-363 |
| 8. Subdivision           | K-372 |
| 9. Cooking               | K-324 |
| 10. Essential electrical | K-918 |

FORUM 2025

6



# # 1

FORUM 2025

7



# Sprinkler System

## K-353

### Testing, Testing, and Testing Field Modifications

FORUM 2025

8



# Sprinkler System

K353

## Sprinkler System – Maintenance and Testing

Automatic sprinkler and standpipe systems are inspected, tested, and maintained in accordance with NFPA 25, *Standard for the Inspection, Testing, and Maintaining of Water-based Fire Protection Systems*. Records of system design, maintenance, inspection and testing are maintained in a secure location and readily available.

- a) Date sprinkler system last checked. xx / xx / xx  
 b) Who provided system test. Company ABC  
 c) Water system supply source. City main

*Provide in REMARKS information on coverage for any non-required or partial automatic sprinkler system.*

9.7.5, 9.7.7, 9.7.8, and NFPA 25

## Testing

Annual Semi-annual Quarterly 5 yr 10 yr

FORUM 2025

9



# Sprinkler System



No external items on pipe

FORUM 2025

10



**# 2**



# **Fire Drills**

**K-712**

**Staff participation**

**Unexpected times**



# Fire Drills

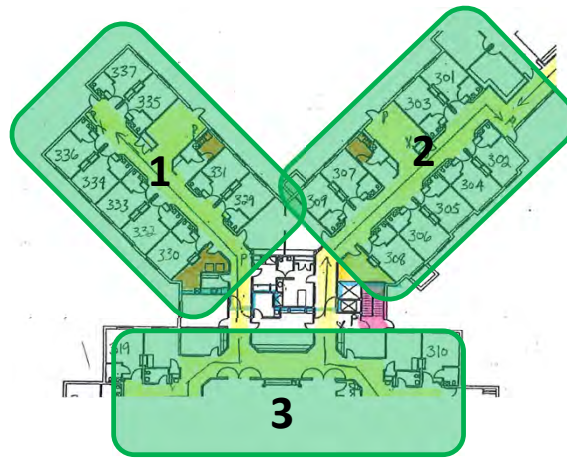
Day of Week	Jan 1	Feb 2	Mar 3	April 4	May 5	June 6	July 7	Aug 8	Sept 9
DATE	Monday	Sunday	Thursday	Friday	Tuesday	Wednesday	Monday	Saturday	Thursday
<b>DAY SHIFT</b>									
Starts at 07:00:00 AM									
8:00									
9:00									
10:00									
11:00									
12:00									
13:00									
Ends at 14:59									
<b>PM SHIFT</b>									
Starts at 15:00									
16:00									
17:00									
18:00									
19:00									
20:00									
21:00									
Ends at 22:59									
<b>NOC SHIFT</b>									
Starts at 23:00									
24:00									
1:00									
2:00									
3:00									
4:00									

## Master Plan

FORUM 2025



# Fire Drills



FORUM 2025



# # 3

FORUM 2025

15



# Fire Alarm

## K-345

**Testing, Testing, and Testing**

**Annual, Semi-annual, and Quarterly Testing**

FORUM 2025

16





# Fire Alarm Testing

<b>Smoke Detection - Spot Type</b>	FA221 - SH Fire Alarm System
	Qty: 19
Detector Type	Photo
Location In Building	
Manufacturer ID	System Sensor

LOCATION	DEV #	DEVICE Type	FUNC Test	FACTORY Setting	MEASURED Setting	PASS	FAIL
Mech Rm A105	1	Photo	X	0.5-3.71%	3.23	X	
Sitting A106	2	Photo	X	0.5-3.71%	3.44	X	
Corr A109	3	Photo	X	0.5-3.71%	3.43	X	
RM A100	4	Photo	X	0.5-3.71%	3.12	X	
RM A101	5	Photo	X	0.5-3.71%	3.11	X	



FORUM 2025

17



# Fire Alarm System



FORUM 2025

18



**# 4**



**Hazardous Area**

**K-321**

**New storage rooms**



# Hazardous Areas

K321

## Hazardous Areas – Enclosure

2012 EXISTING

Hazardous areas are protected by a fire barrier having 1-hour fire resistance rating (with ¾ hour fire rated doors) or an automatic fire extinguishing system in accordance with 8.7.1. When the approved automatic fire extinguishing system option is used, the areas shall be separated from other spaces by smoke resisting partitions and doors

Area	Automatic Sprinkler	Separation	N/A
a. Boiler and Fuel-Fired Heater Rooms	✓	✓	
b. Laundries (larger than 100 sq. ft.)	✓	✓	
c. Repair, Maintenance, and Paint Shops			■
d. Soiled Linen Rooms (exceeding 64 gal.)	✓		
e. Trash Collection Rooms (exceeding 64 gal.)			■
f. Combustible Storage Rooms/Spaces (over 50 sq. ft.)	✓		
g. Laboratories (if classified as Severe Hazard - see K322)			■

FORUM 2025

21



# Hazardous Area



**New Storage**

**New Hazard**

FORUM 2025

22



**# 5**



# **Egress Locking**

**K-222**

**Delayed Egress**



# Egress

ID PREFIX	
K222	<input type="checkbox"/> DELAYED-EGRESS LOCKING ARRANGEMENTS Approved, listed delayed-egress locking systems installed in accordance with 7.2.1.6.1 shall be permitted on door assemblies serving low and ordinary hazard contents in buildings protected throughout by an approved, supervised automatic fire detection system or an approved, supervised automatic sprinkler system. 18.2.2.2.4, 19.2.2.2.4

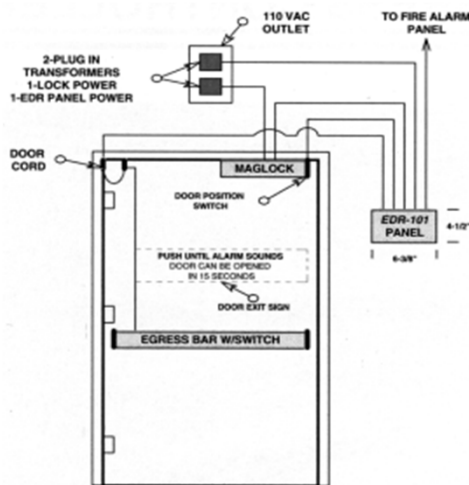
**Lock type matches actual use**  
 Delayed or elopement prevention

FORUM 2025

25



# Egress



FORUM 2025

26



# # 6

FORUM 2025

27



# Electrical Outlets

## K-914

**Annual testing for standard receptacles**

FORUM 2025

28



# Electrical Outlets



FORUM 2025

29



# Electrical Outlets

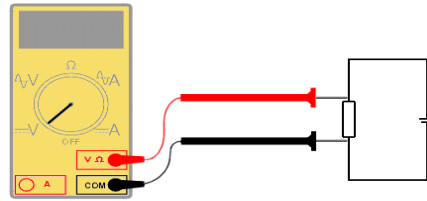


FORUM 2025

30



# Electrical Outlets



FORUM 2025

31



# # 7

FORUM 2025

32





# Corridor Doors

## K-363

Positive latching hardware



# Corridor Doors





**# 8**

FORUM 2025

35



# **Smoke Compartment**

**K-372**

**Firestopping**

FORUM 2025

36



# Smoke Compartment



Fire stopped openings

FORUM 2025

37



# # 9

FORUM 2025

38



# Cooking

## K-342

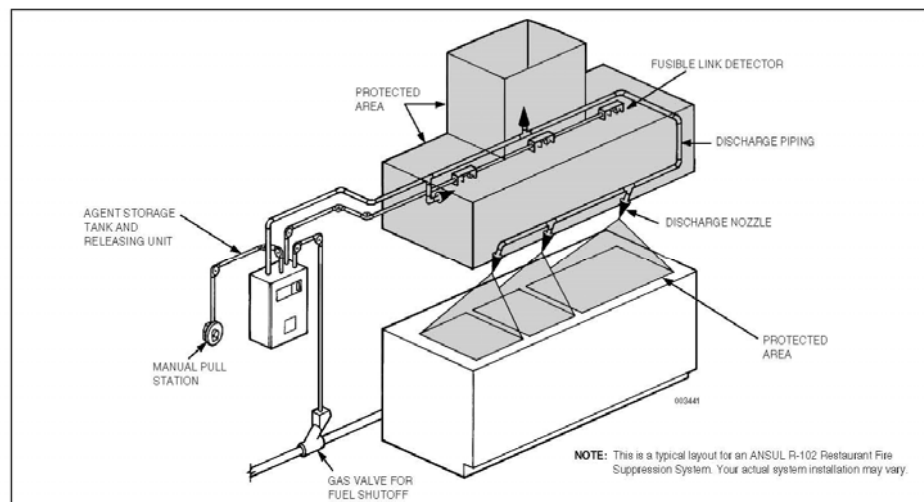
### Semi-annual Hood Inspections

### Semi-annual Suppression

FORUM 2025



# Cooking



FORUM 2025



# # 10

FORUM 2025

41



# Essential Electrical

## K-918

### Generator Testing

FORUM 2025

42



# Essential Electrical



## Generator Testing Monthly and 3 Year

FORUM 2025

43



# Summary

- Introduction
- Resources
- Examples

FORUM 2025

44



**Thank You**